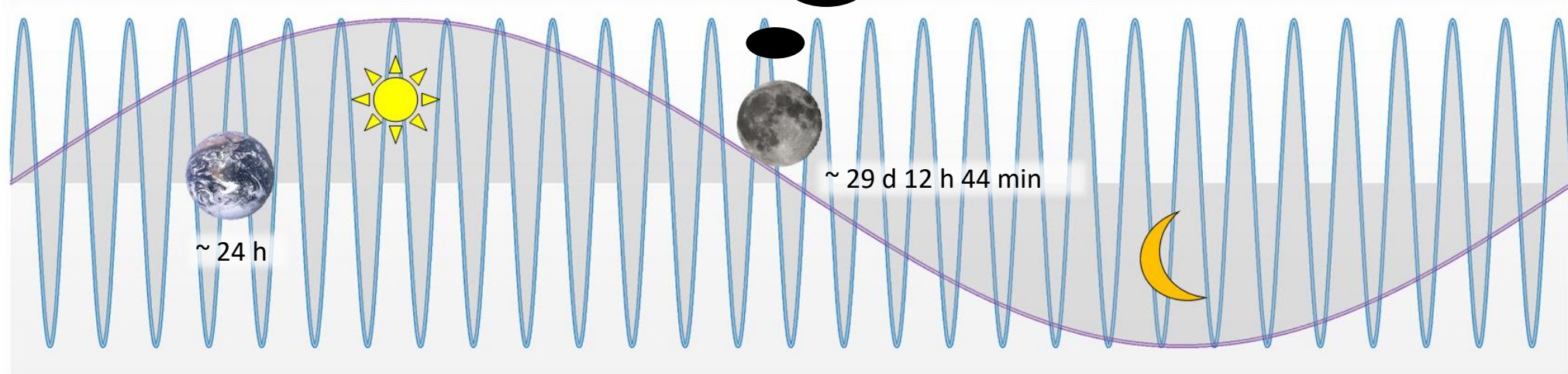
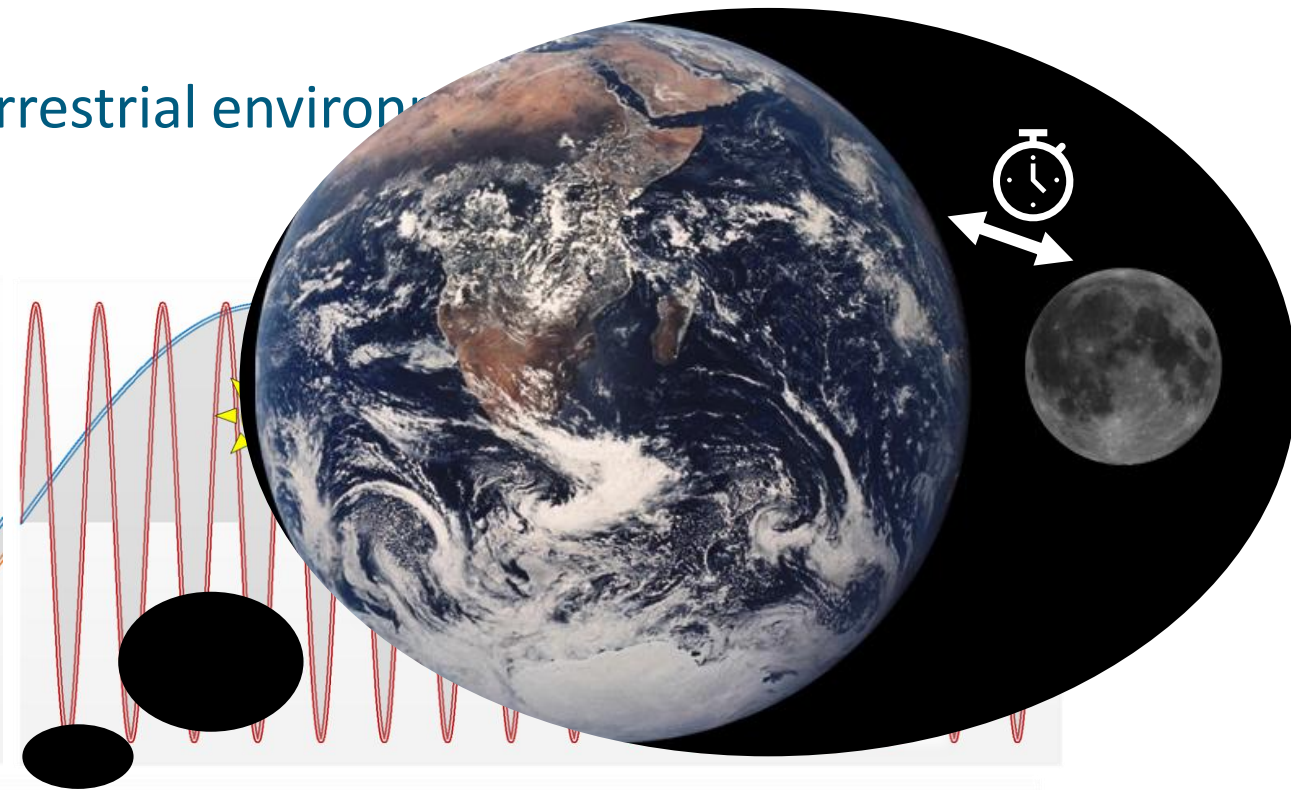
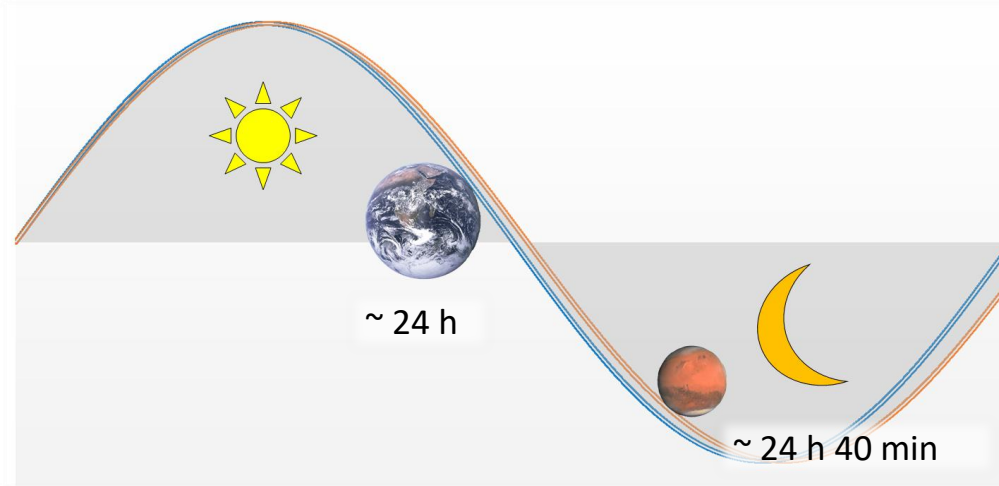


SpaceFlow

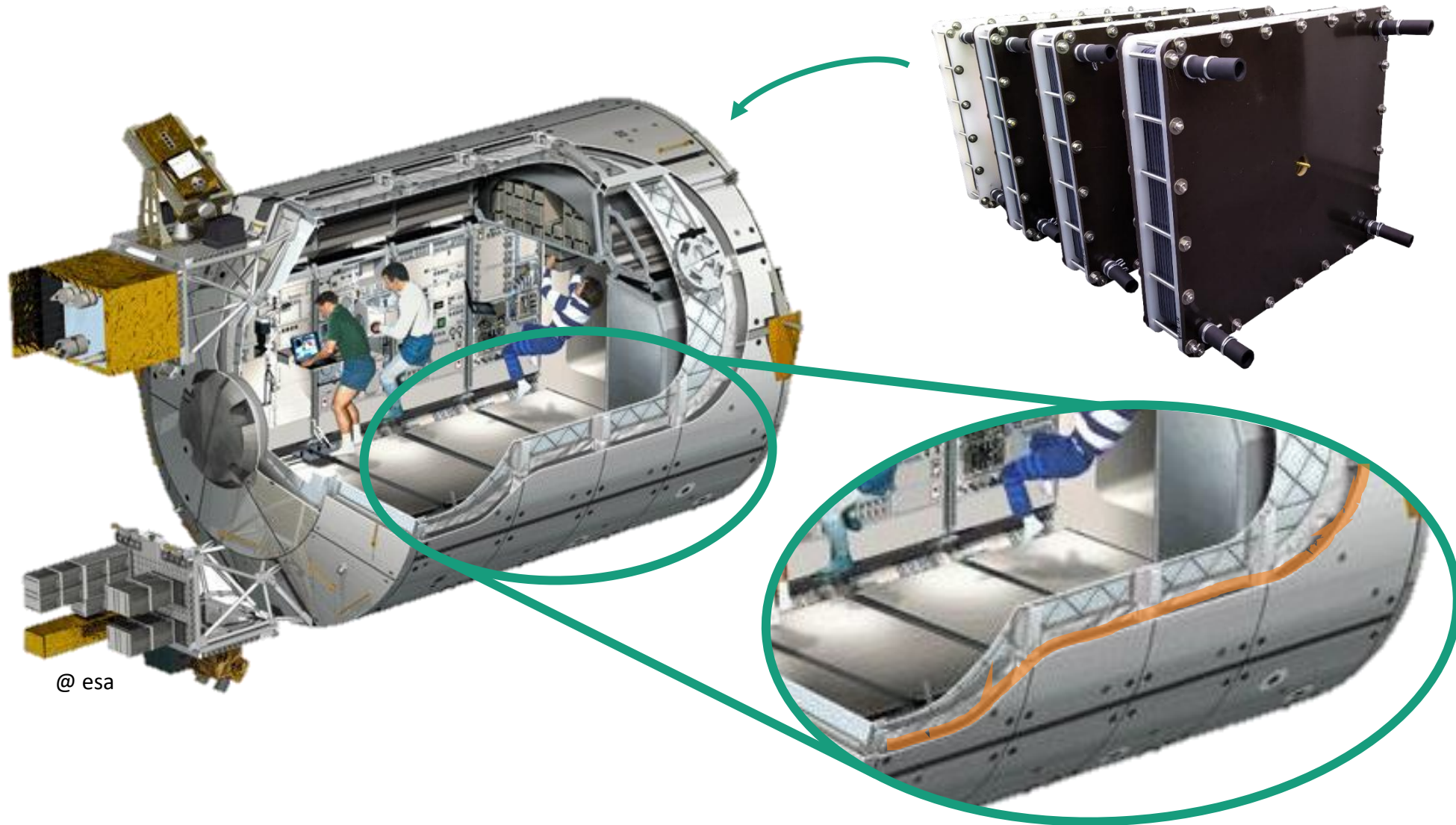
Flow Batteries in Space Applications

Dr.-Ing. Jan Girschik, June 26, 2025, Vienna
International Flow Battery Forum IFBF

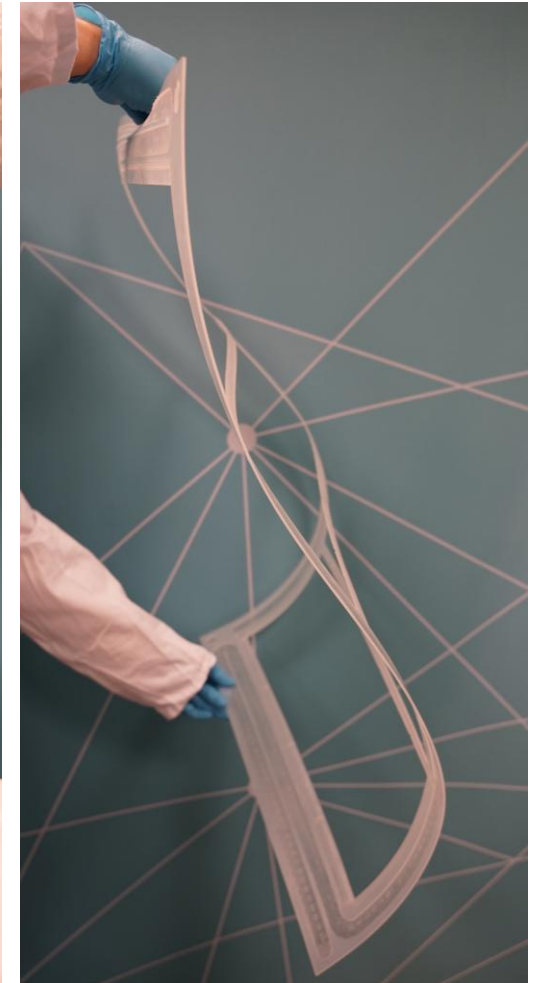
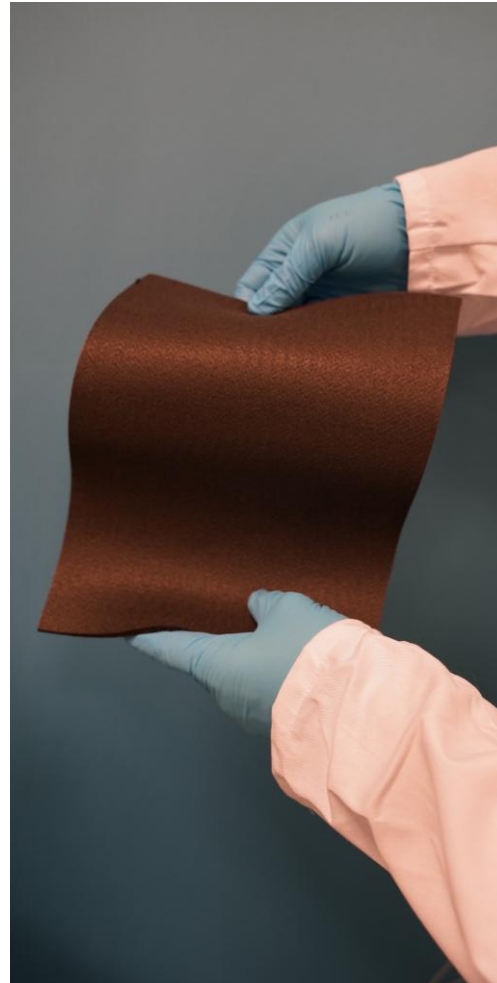
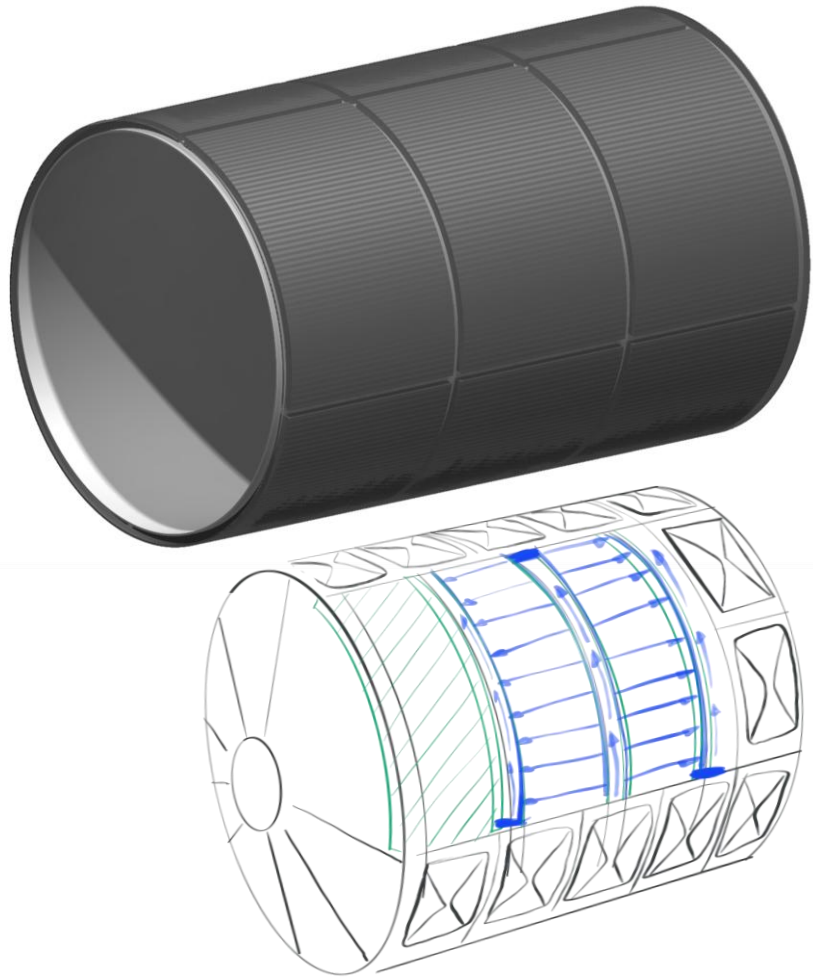
Requirements for battery systems in extraterrestrial environments



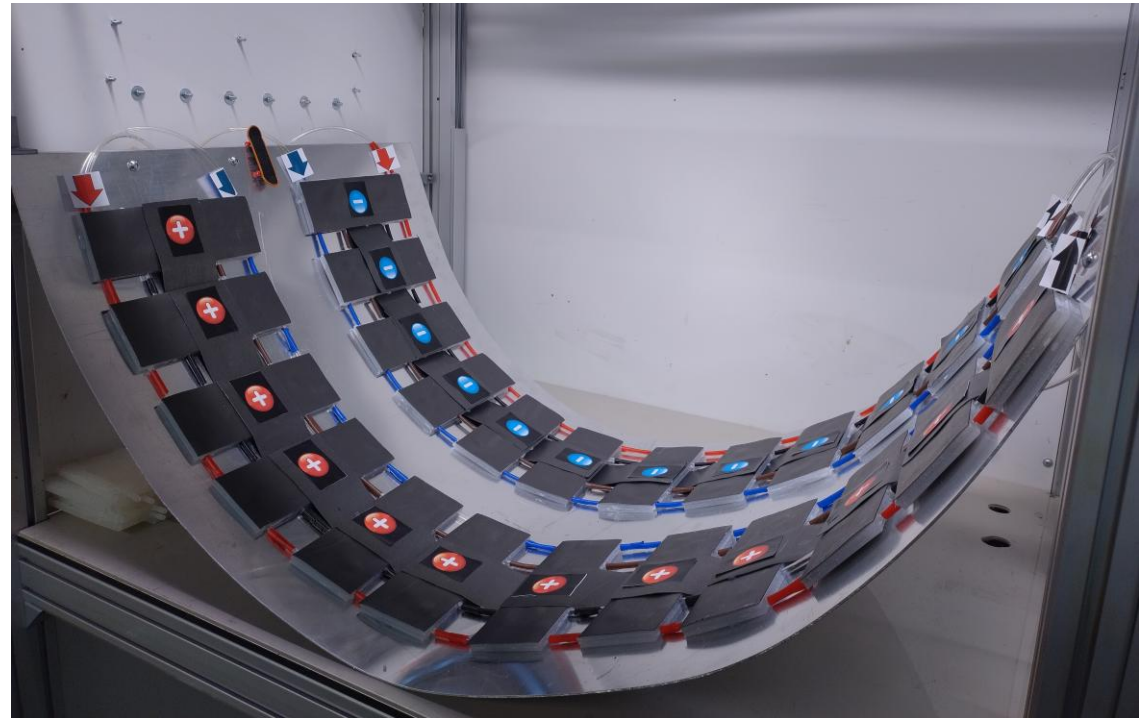
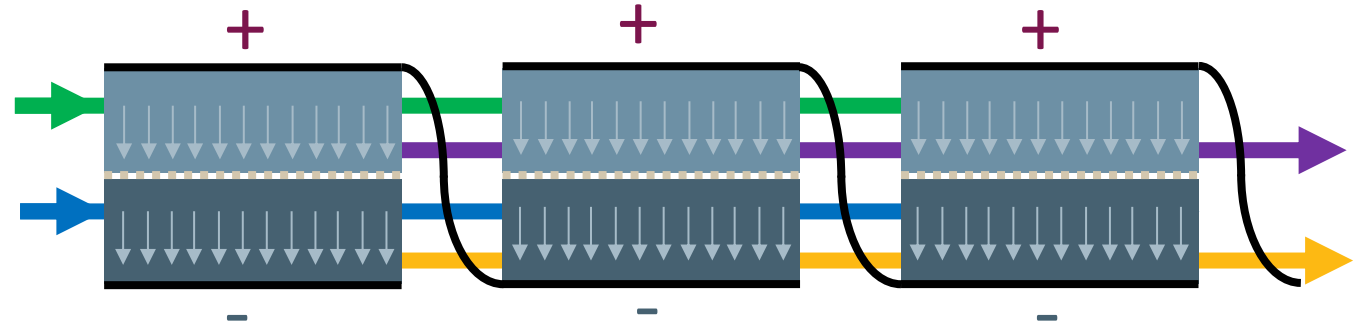
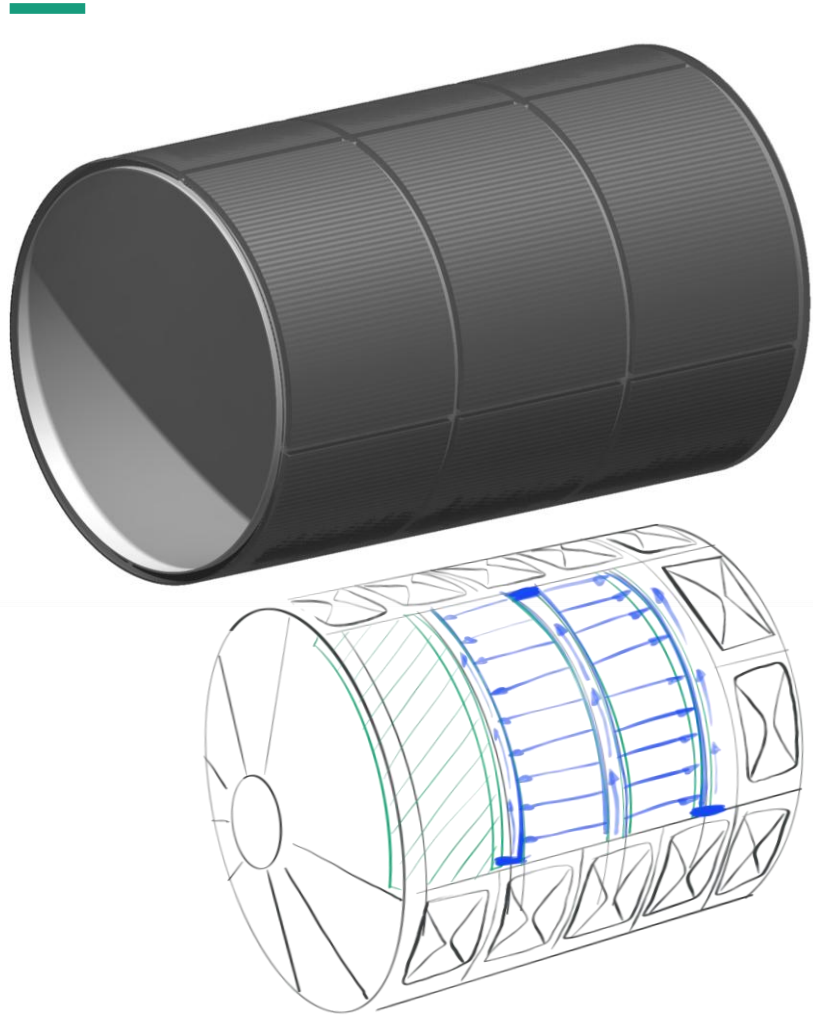
Flow battery integration in space modules



Structure integration and substack/ cell arrangement



Structure integration and substack/ cell arrangement



SPACEFLOW

Contact

Dr.-Ing. Jan Girschik
Head of Battery Development
Department Electrochemical Energy Storage
Tel. +49 208 8598-1532
jan.girschik@umsicht.fraunhofer.de

Fraunhofer UMSICHT
Osterfelder Str. 3
46047 Oberhausen, Germany
www.umsicht.fraunhofer.de/en



PAVING THE WAY TO A SUSTAINABLE WORLD

We stand for research and development with responsibility